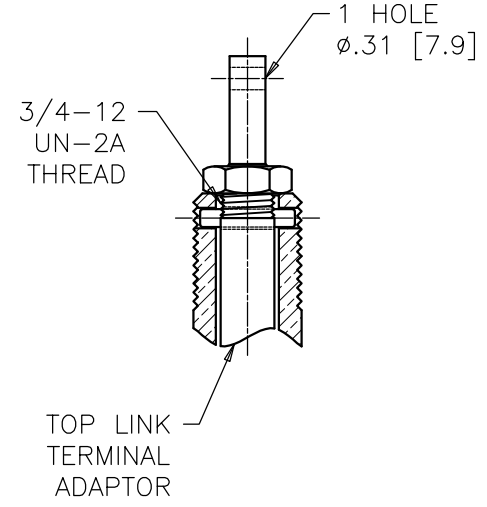
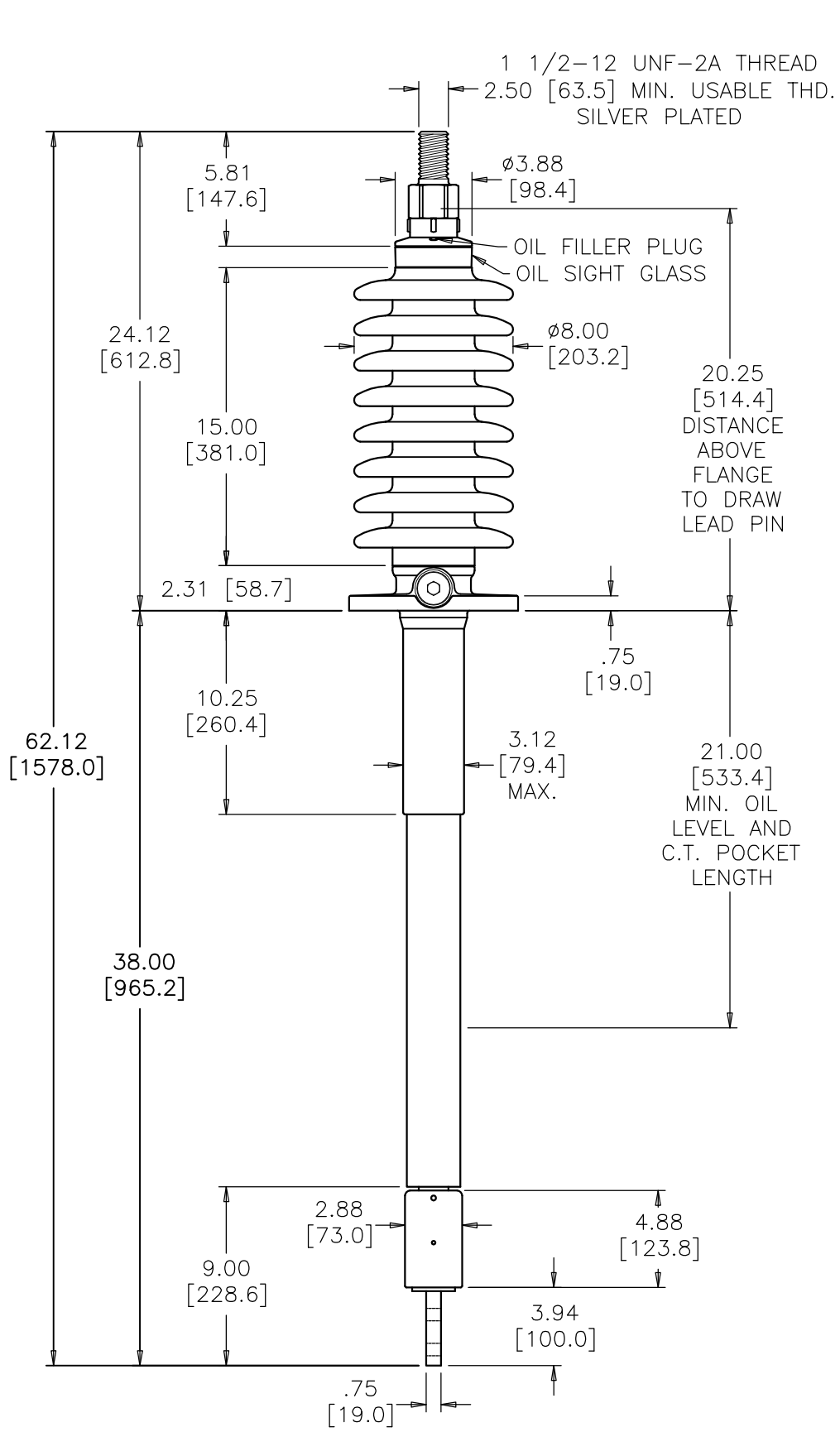


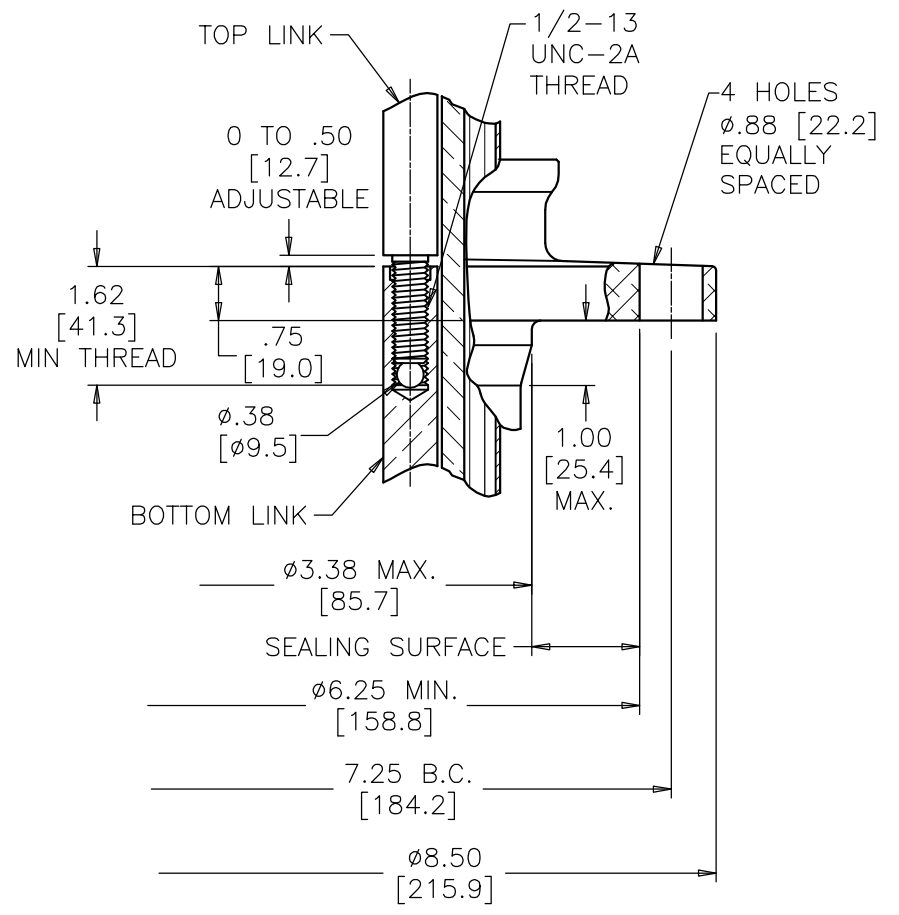
KV CLASS 34.5 kV	BIL 200 kV	Uy 22 kV
CURRENT RATING		
1200A BOTTOM CONNECTION IN 55°C RISE OIL		
MIN. CREEP 41.00 [1041.4]	MIN. STRIKE 17.00 [431.8]	
CREEP/Uy 1.86 [47.3]	STD. IEEE C57.19.00	
PCB CONTENT OF OIL IS LESS THAN 1 ppm		

DWG.	CATALOG NUMBER	GLAZE COLOR
SD	B-89393-200	BROWN
SD	B-89393-200-70	LT. GRAY
TITLE IEEE STANDARD BUSHING		
PRC BUSHING		
QUICK LINK BOTTOM CONNECTION JOINT .75 [19.0] ABOVE FLANGE MOUNTING SURFACE UNPLATED BOTTOM TERMINAL		

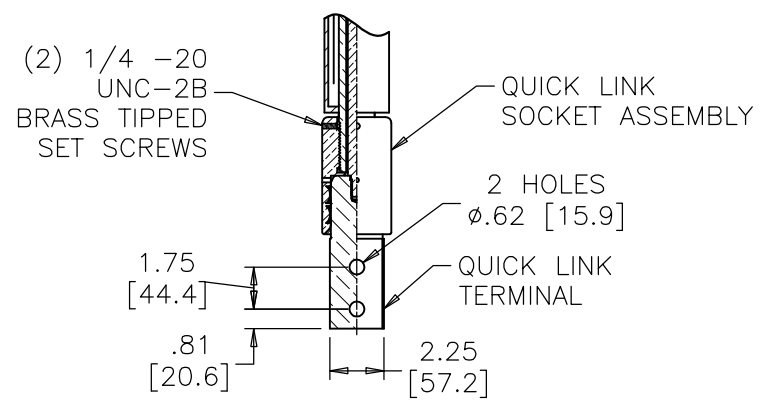
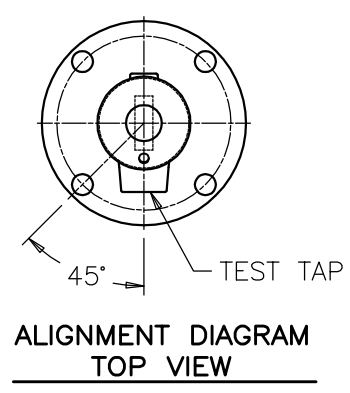
DATE 1-5-04	REV. DATE 6-9-06
MAXIMUM ALTITUDE 10000 ft [3000 m]	
NET WEIGHT 88 lb [40 kg]	
ANGLE OF INCLINATION FROM THE VERTICAL 0° TO 70°	



TOP LINK TERMINAL DETAIL



MOUNTING FLANGE DETAIL



BOTTOM TERMINAL DETAIL

DIMENSIONS IN INCHES [MILLIMETERS]

REVISION REVISED TO USE NEW TEMPLATE, PCORE WAS LAPP

SCALE 1/8

NOTE TO PURCHASER:
 ALL SALES OF PCORE PRODUCTS ARE SUBJECT TO OUR STANDARD TERMS AND CONDITIONS AND THE LIMITED WARRANTIES THEREUNDER